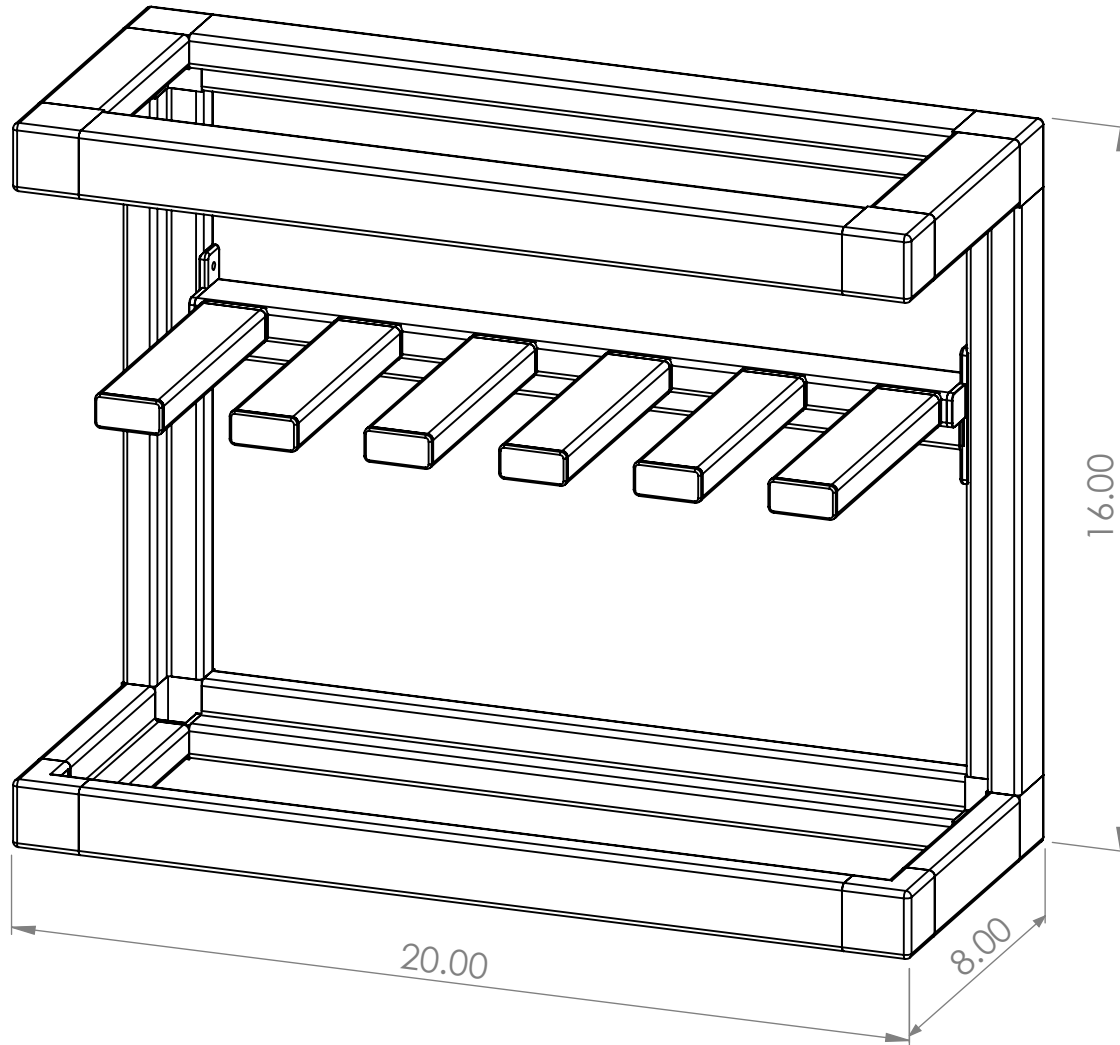


# Cordless Tool Organizer



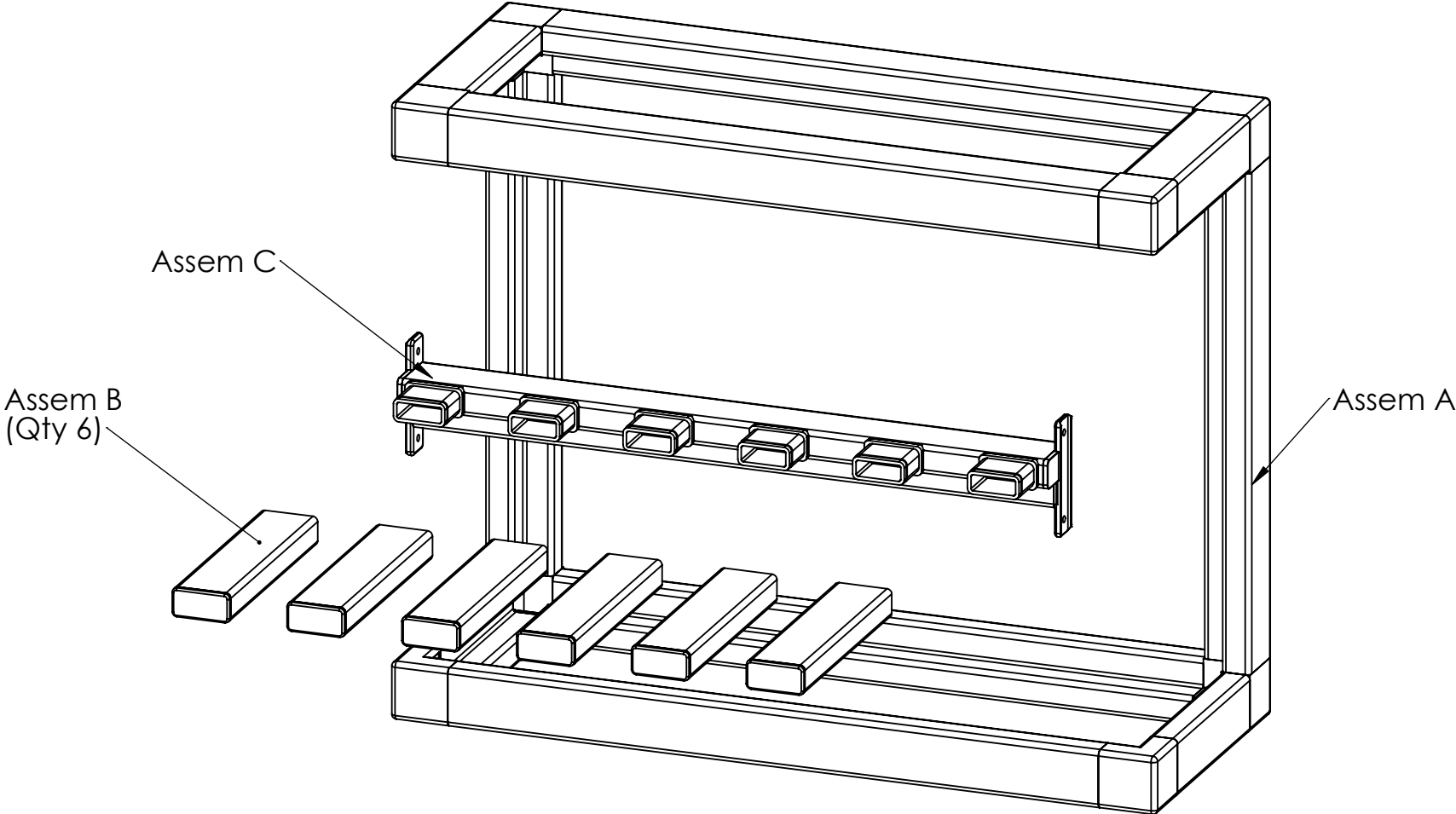
Date: 3-17-21  
Page: 1 Of: 6

Part Number:  
Customer:

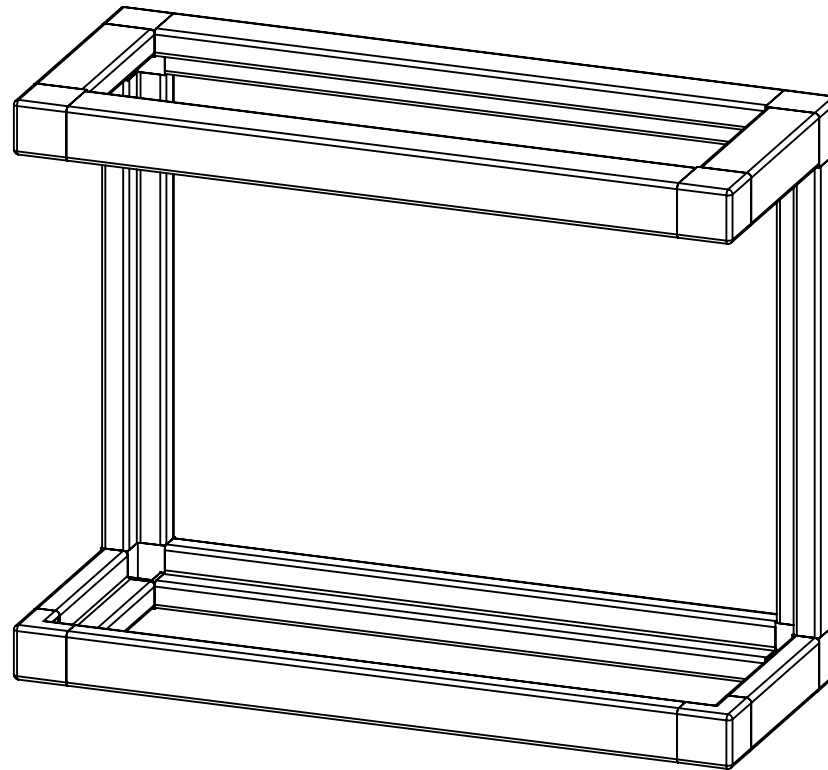
Description: Cordless tool organizer  
Approved by: \_\_\_\_\_



Exploded View



### Assem A



ITEM	QTY.	Part No.	DESCRIPTION	LENGTH (IN)	WIDTH (IN)
1	1				
2	4	TLA1-BL	L-Tube (Tight Fit - Black)	17	
3	2	TLA1-BL	L-Tube (Tight Fit - Black)	13	
4	4	TLA1-BL	L-Tube (Tight Fit - Black)	5	
5	4	JL3150	3-Way Corner Joint		
6	4	JL2150	2-Way 90 degree corner joint		

Date: 3-17-21

Part Number:

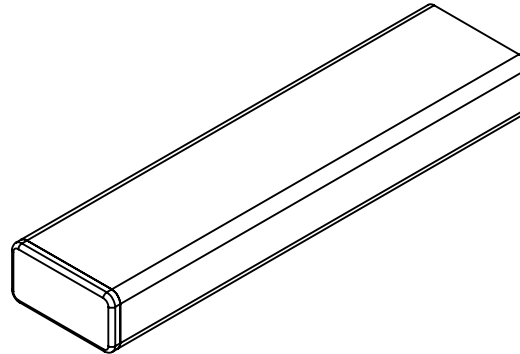
Description: Cordless tool organizer

Page: 3 Of: 6

Customer:

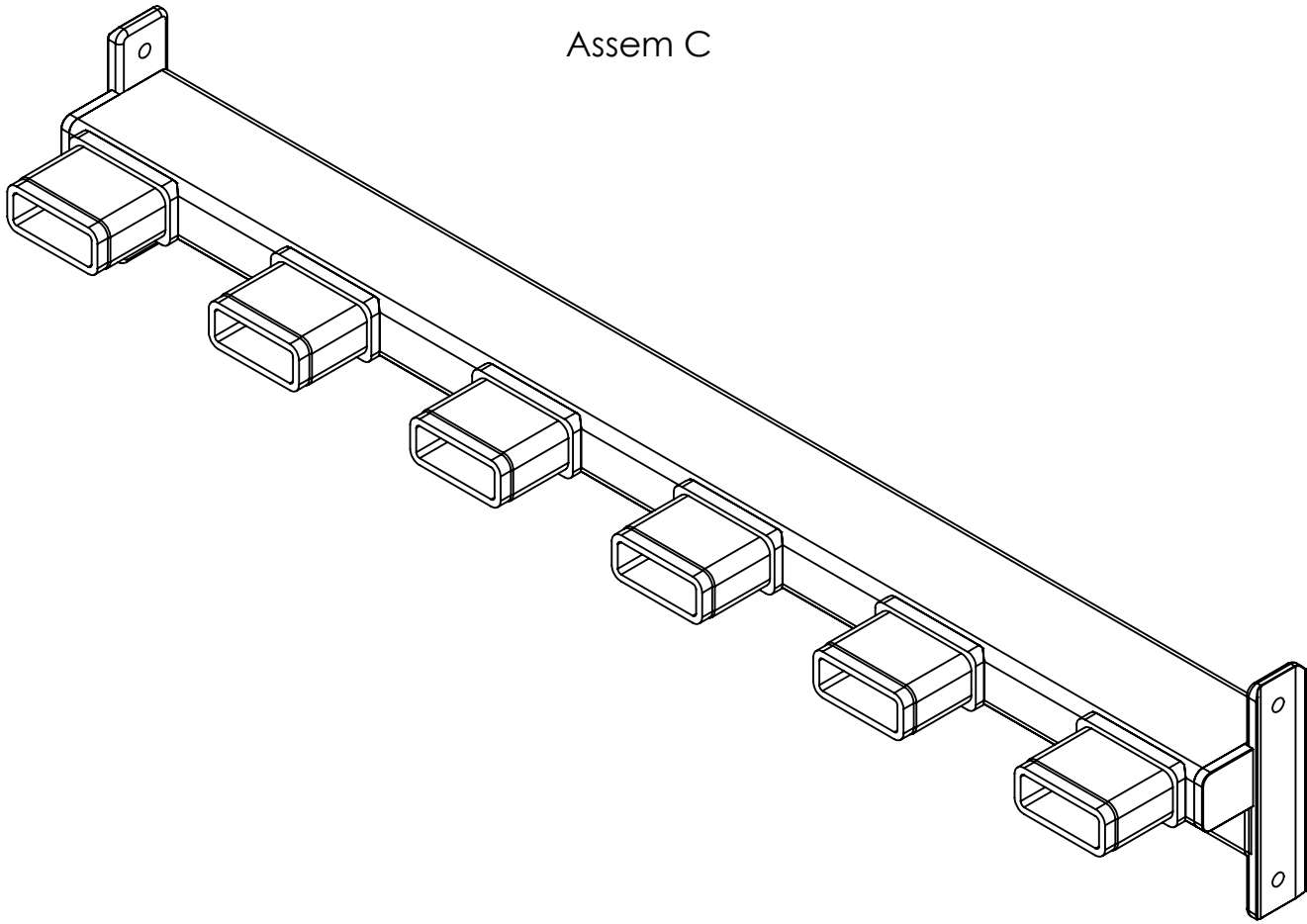
Approved by: \_\_\_\_\_

Assem B - Qty 6



ITEM	QTY.	Part No.	DESCRIPTION	LENGTH (IN)	WIDTH (IN)
1	1				
2	1	TRA1-BL	R-Tube (Tight Fit - Black)	6	
3	1	JREC150	End Cap (R-Tube)		

Assem C

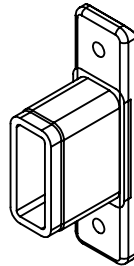


ITEM	QTY.	Part No.	DESCRIPTION	LENGTH (IN)	WIDTH (IN)
1	1				
2	1	TLA1-BL	L-Tube (Tight Fit - Black)	16.75	
3	2	JWT150	Winged T		
4	6	JFT150	Flush T		
5	2	JFC20	Filler Cap		

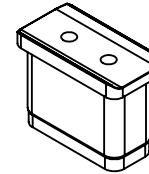
Filler Cap - JFC20



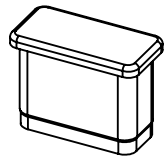
Winged T - JWT150



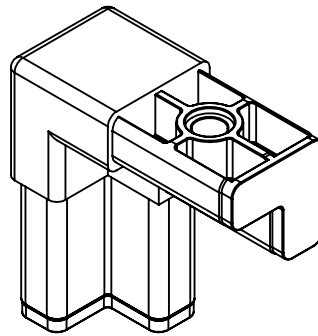
Flush T - JFT150



R End Cap - JREC150



2 Way - JL2150



3 Way - JL3150

