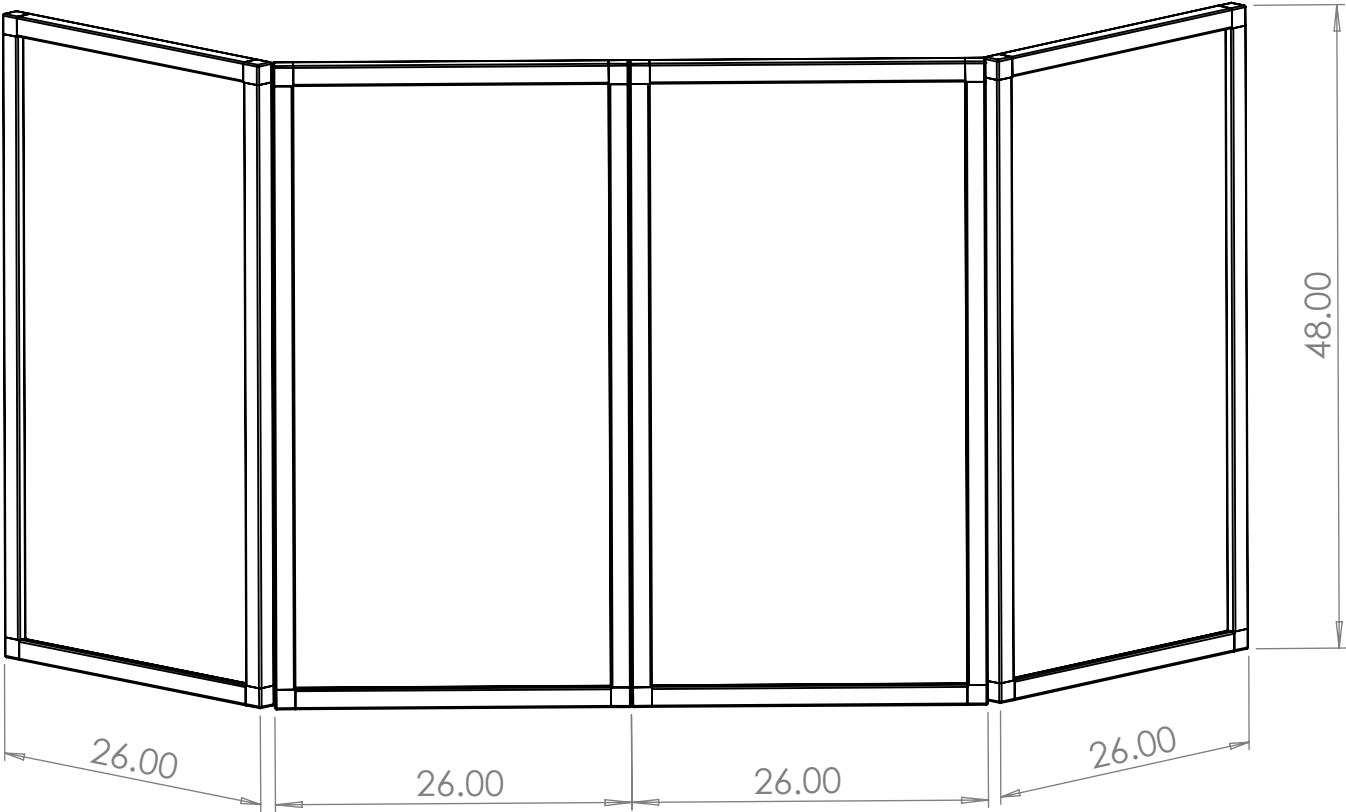
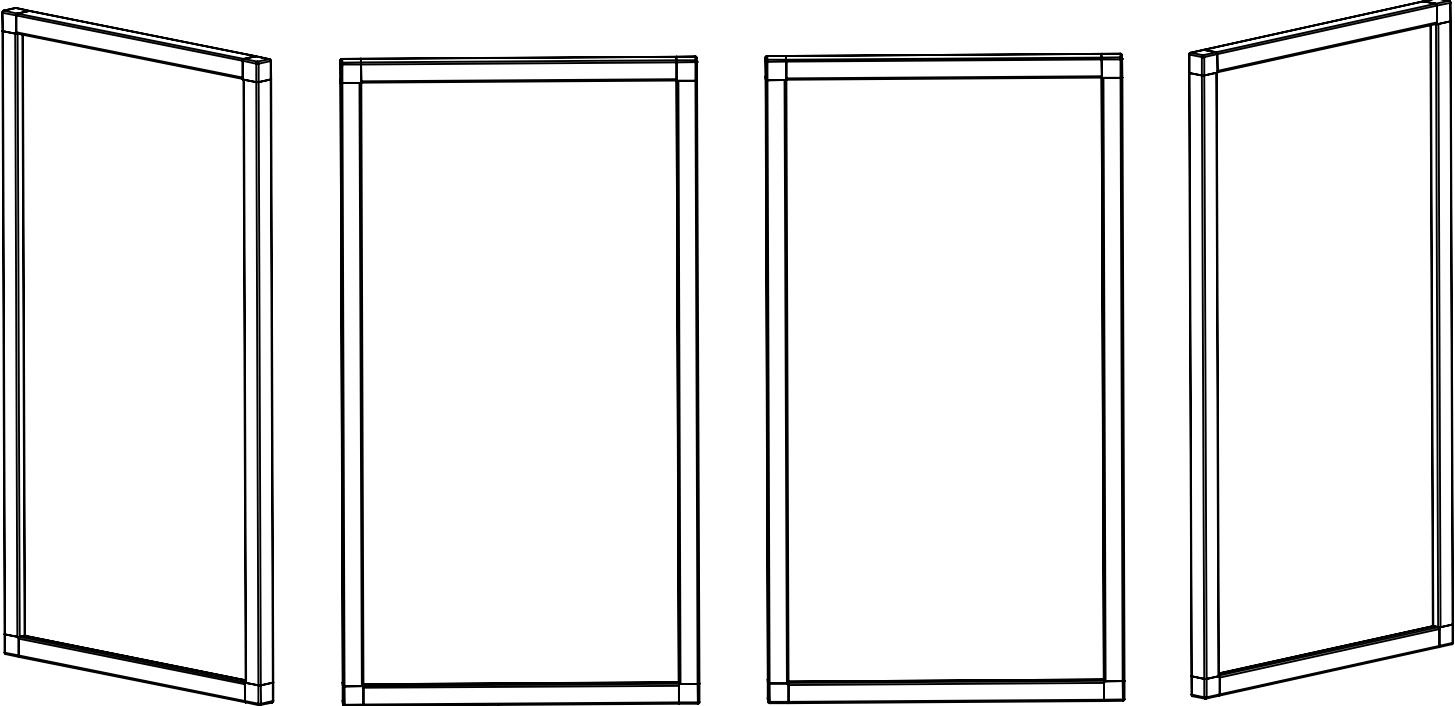


DJ Facade Frame

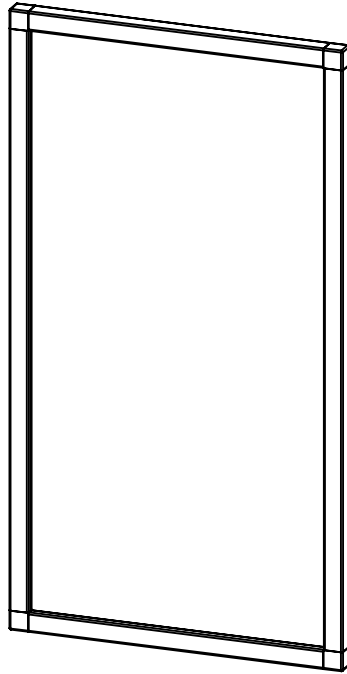


Exploded View



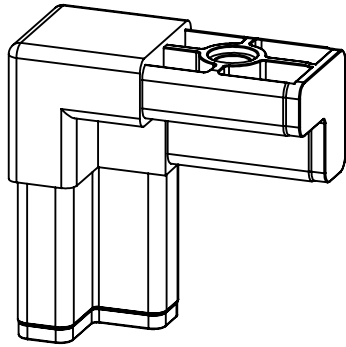
Assem A - Qty 4

Assem A - Qty 4

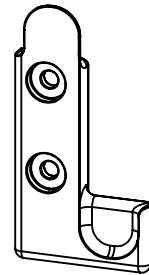


ITEM	QTY.	Part No.	DESCRIPTION	LENGTH (IN)	WIDTH (IN)
1	1				
2	2	TL1500		23	
3	2	TL1500		45	
4	4	JL2150	2-Way 90 degree corner joint		
5	1	AC188-FROST	3/16" Acrylic (Frost)	46.500	24.500

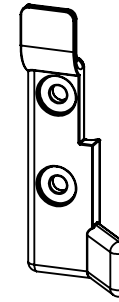
2 Way - JL2150



Bear Clip 180 - HBC180



Bear Clip 45 - HBC45



PPHS10-625

