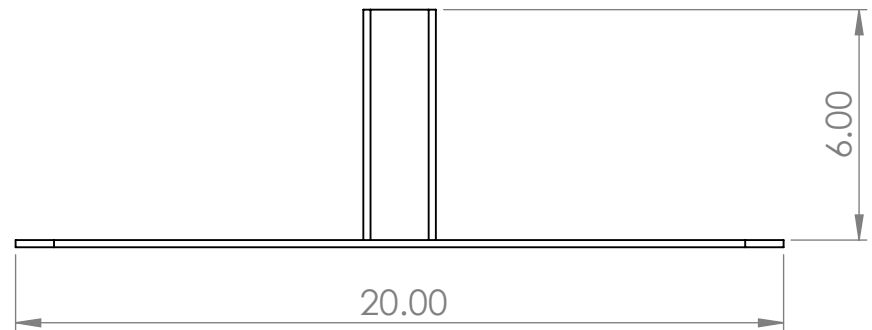
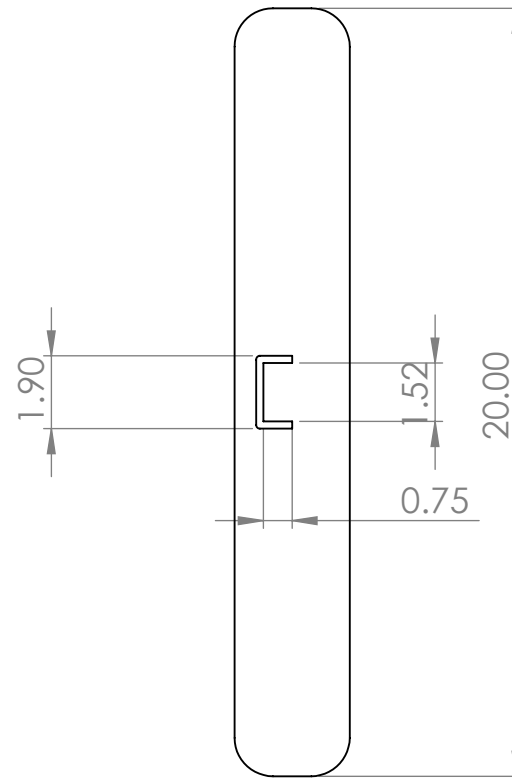
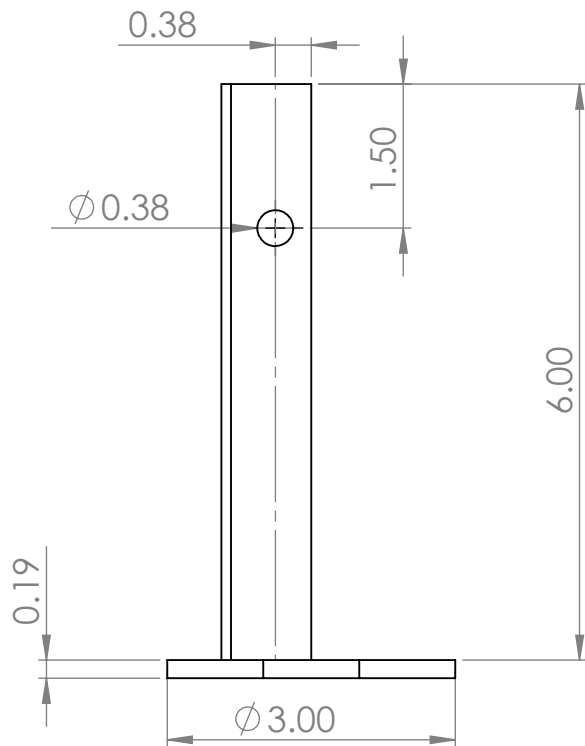
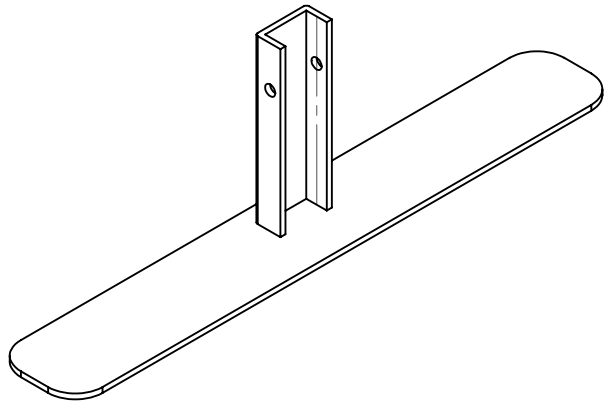
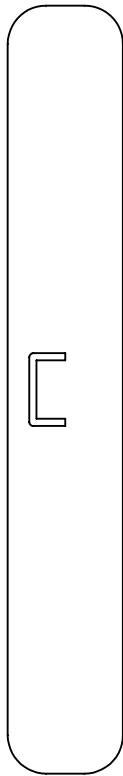


Stand





Date: 11-04-21

Part Number:

Description: Frame Stand

Page: 2 Of: 2

Customer:

Approved by: _____

