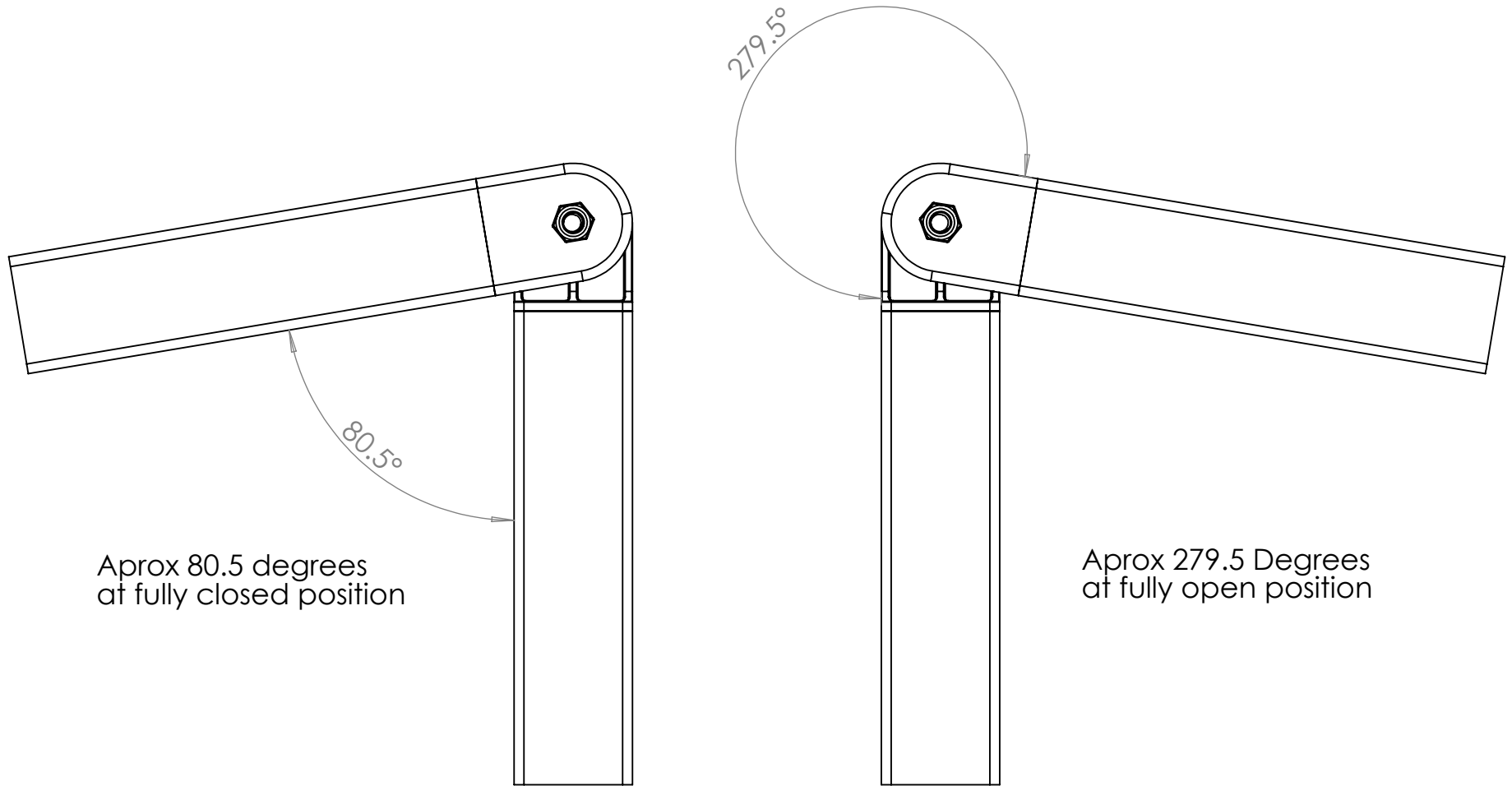


Pivot Arm Assembly



Aprox 80.5 degrees
at fully closed position

Aprox 279.5 Degrees
at fully open position