

# Bar Assembly



Date: 2-05-21

Part Number:

Description: Portable Bar Rev\_2

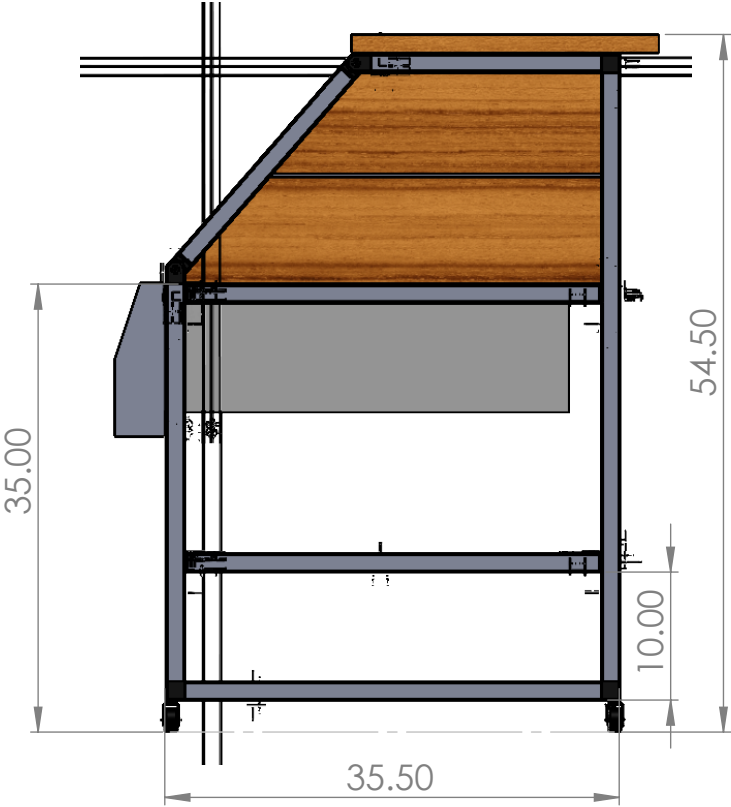
Page: 1 Of: 11

Customer:

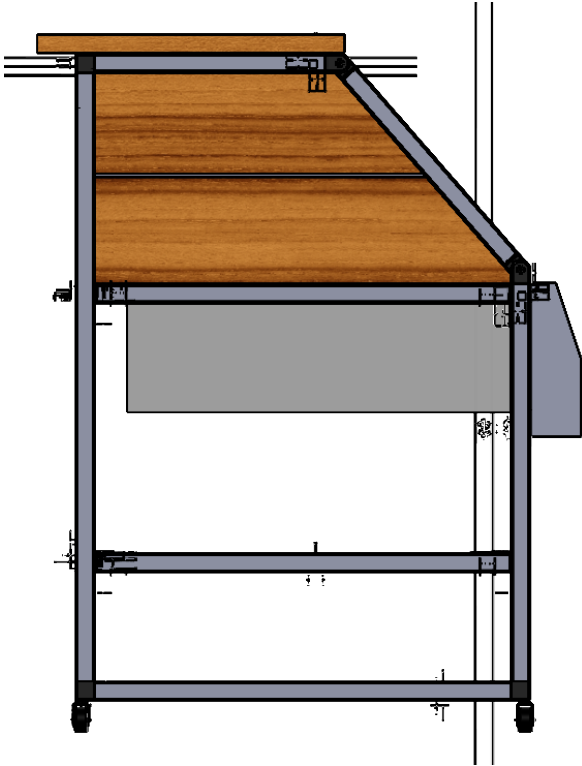
Approved by: \_\_\_\_\_

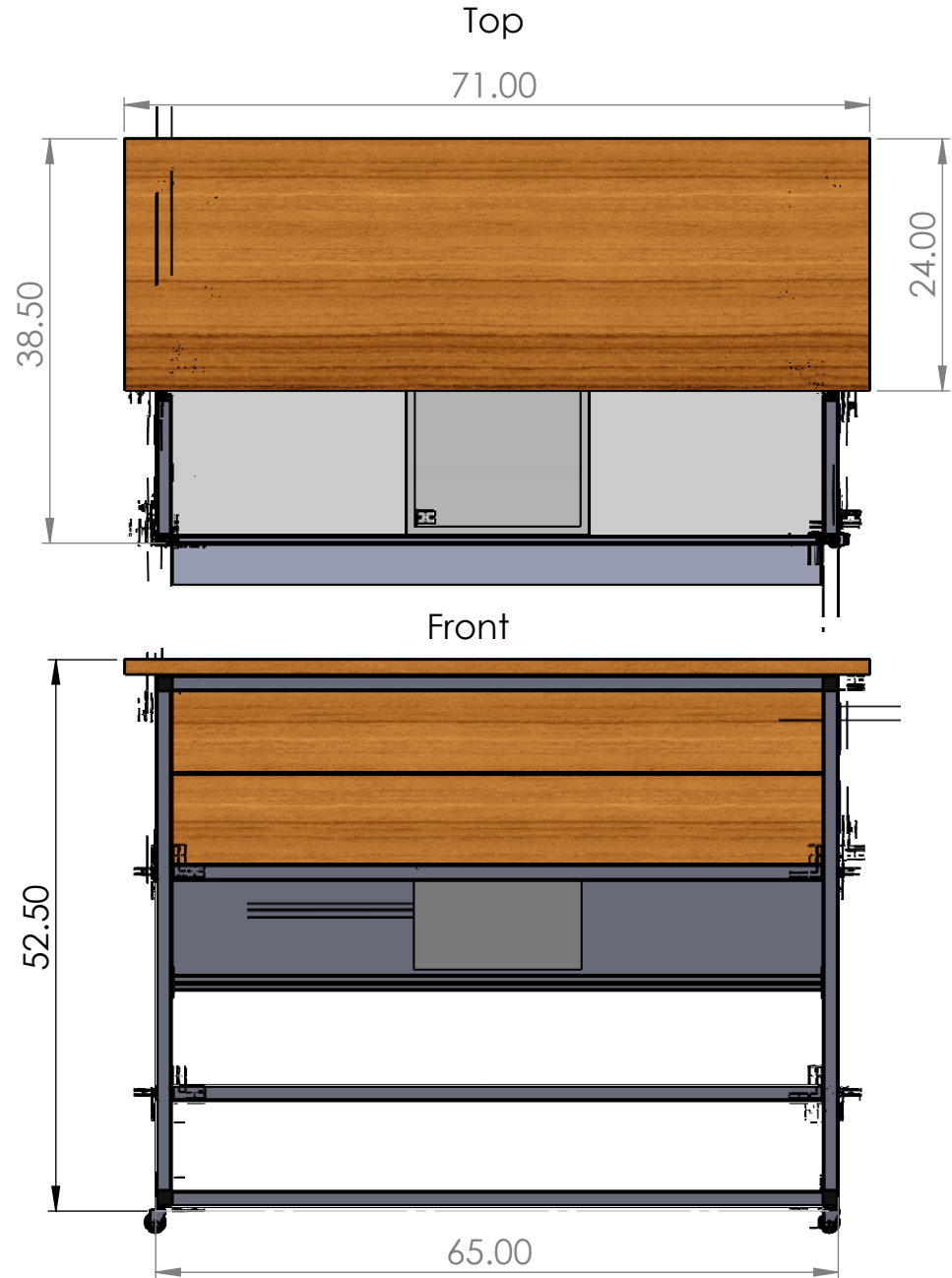


Right Side



Left Side





Date: 2-05-21

Part Number:

Description: Portable Bar Rev\_2

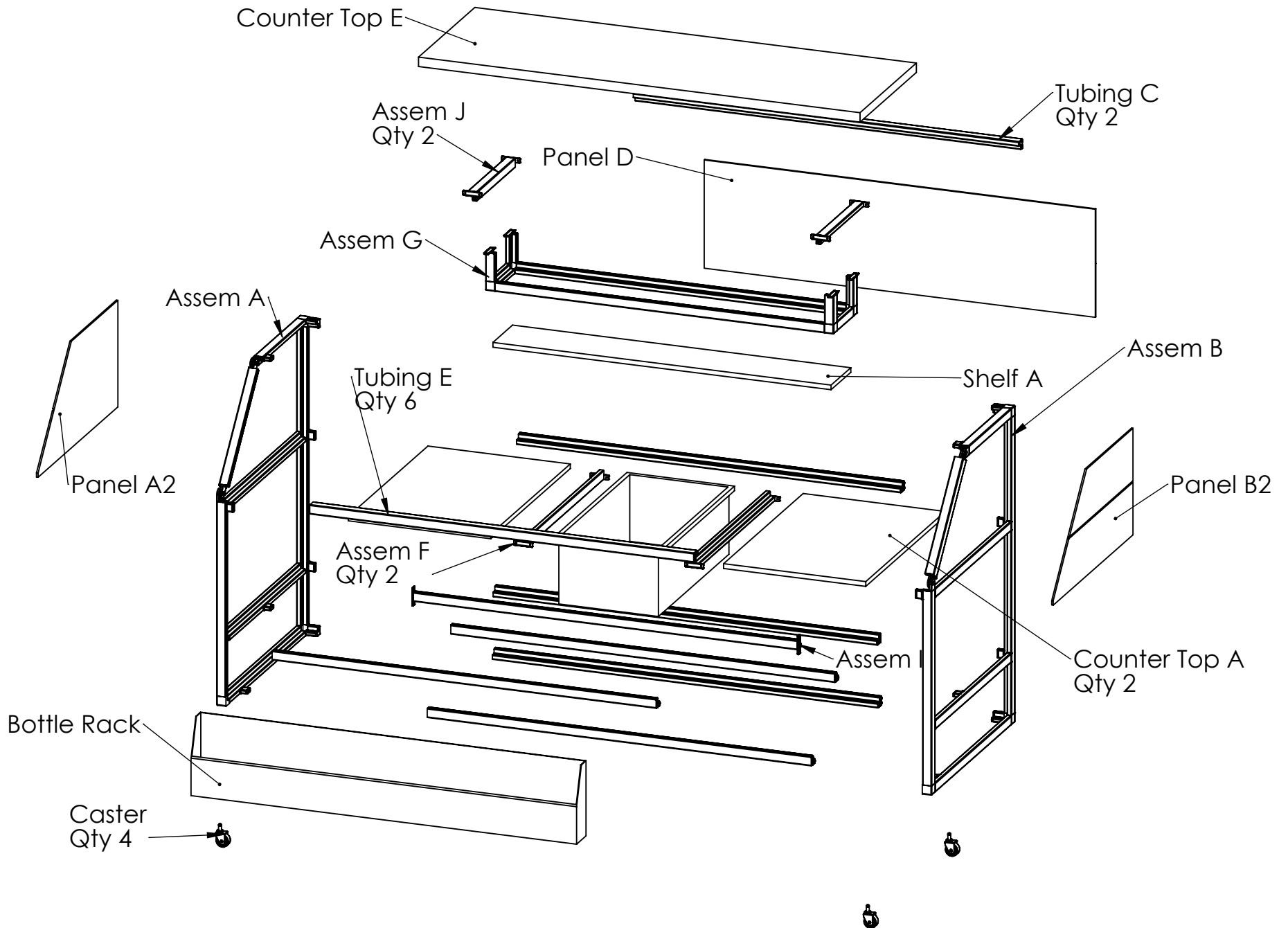
Page: 3 Of: 11

Customer:

Approved by: \_\_\_\_\_

**MOXI.**

Exploded View



Date: 2-05-21

Part Number:

Description: Portable Bar Rev\_2

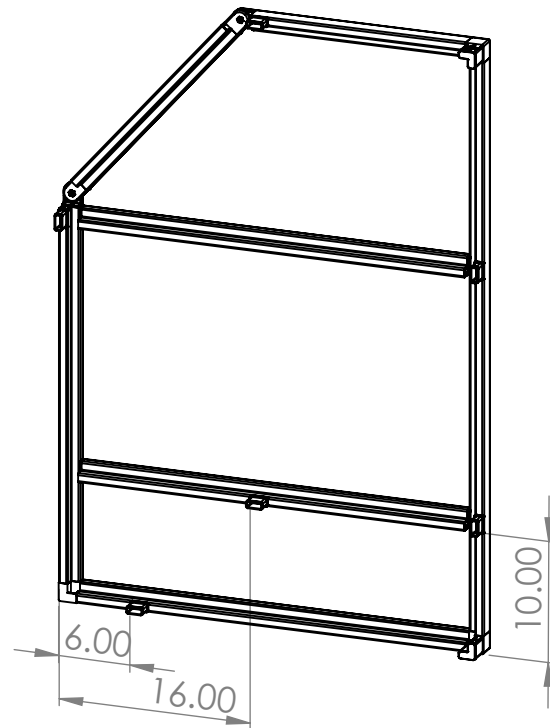


Page: 4 Of: 11

Customer:

Approved by: \_\_\_\_\_

### Assem A



ITEM	QTY.	Part No.	DESCRIPTION	LENGTH (IN)	WIDTH (IN)
1	1	TLA1	L-Tube 1.5 Inch (Tight Fit)	18	
2	1	TLA1	L-Tube 1.5 Inch (Tight Fit)	47.5	
3	1	TLA1	L-Tube 1.5 Inch (Tight Fit)	31	
4	1	TLA1	L-Tube 1.5 Inch (Tight Fit)	32.5	
5	1	JL3150	3-Way Corner Joint		
6	2	JPAC150	Pivot Arm Chamfered		
7	10	JFT150	Flush T		
8	1	3-Way (Caster Hole) - JL3150CH	3-Way Corner Joint with Caster Hole		
9	1	2-Way (Caster Hole A) - JL2150CH1A	2-Way Corner Joint with Caster Hole (A)		
10	1	TLA1	L-Tube 1.5 Inch (Tight Fit)	19.145	
11	2	JPAH150	Pivot Arm Hex		
12	1	TLA1	L-Tube 1.5 Inch (Tight Fit)	32.25	

Date: 2-05-21

Part Number:

Description: Portable Bar Rev\_2

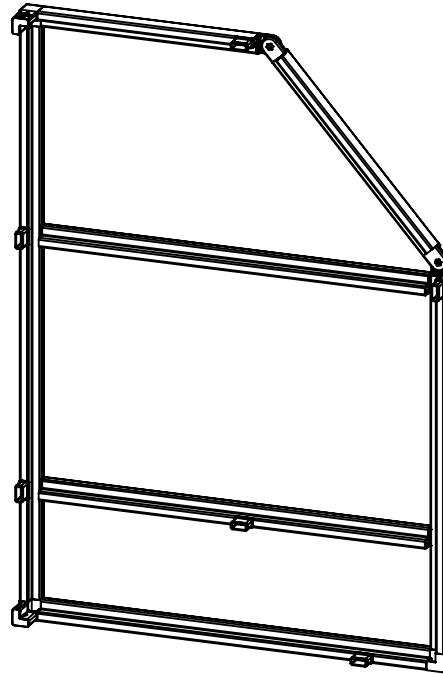
Page: 5 Of: 11

Customer:

Approved by: \_\_\_\_\_



## Assem B



ITEM	QTY.	Part No.	DESCRIPTION	LENGTH (IN)	WIDTH (IN)
1	1	TLA1	L-Tube 1.5 Inch (Tight Fit)	18	
2	1	TLA1	L-Tube 1.5 Inch (Tight Fit)	47.5	
3	1	TLA1	L-Tube 1.5 Inch (Tight Fit)	31	
4	1	TLA1	L-Tube 1.5 Inch (Tight Fit)	32.5	
5	2	JPAC150	Pivot Arm Chamfered		
6	1	JL3150	3-Way Corner Joint		
7	10	JFT150	Flush T		
8	1	2 way (Caster Hole B) - JL2150CH1B	2-Way Corner Joint with Caster Hole (B)		
9	1	3-Way (Caster Hole) - JL3150CH	3-Way Corner Joint with Caster Hole		
10	1	TLA1	L-Tube 1.5 Inch (Tight Fit)	19.145	
11	2	JPAH150	Pivot Arm Hex		
12	1	TLA1	L-Tube 1.5 Inch (Tight Fit)	32.25	

Date: 2-05-21

Part Number:

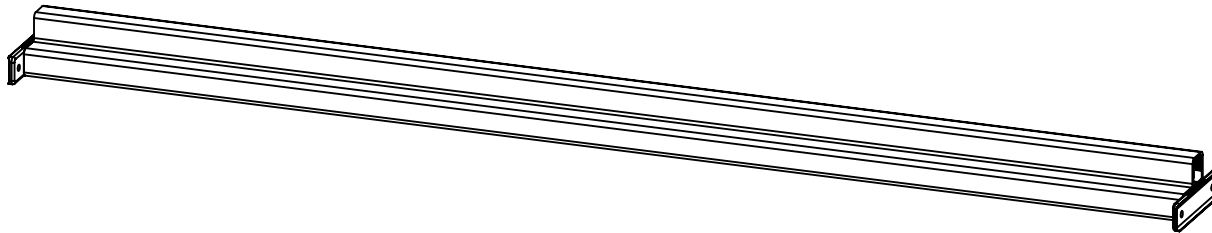
Description: Portable Bar Rev\_2

Page: 6 Of: 11

Customer:

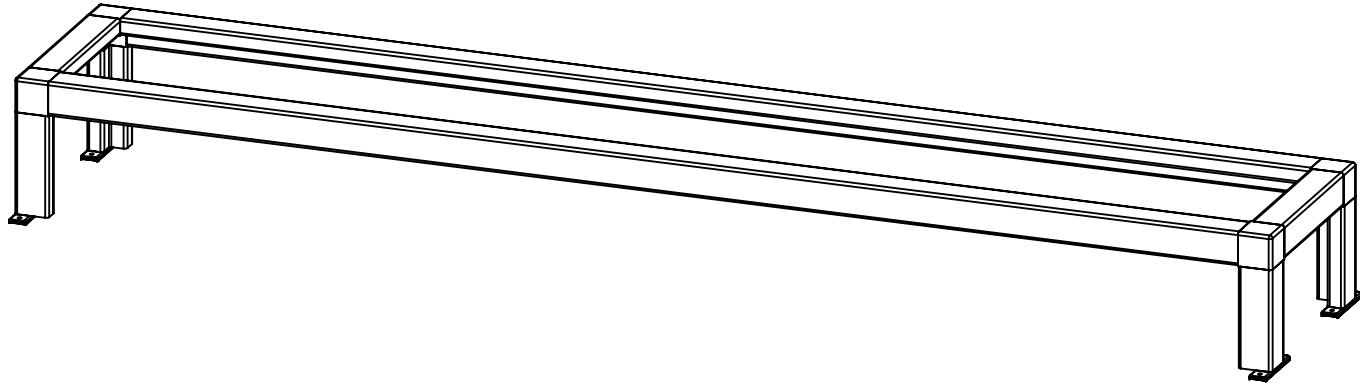
Approved by: \_\_\_\_\_

Assem F - Qty 2



ITEM	QTY.	Part No.	DESCRIPTION	LENGTH (IN)	WIDTH (IN)
1	1	TLA1	L-Tube 1.5 Inch (Tight Fit)	32.25	
2	2	JWT150	Winged T		

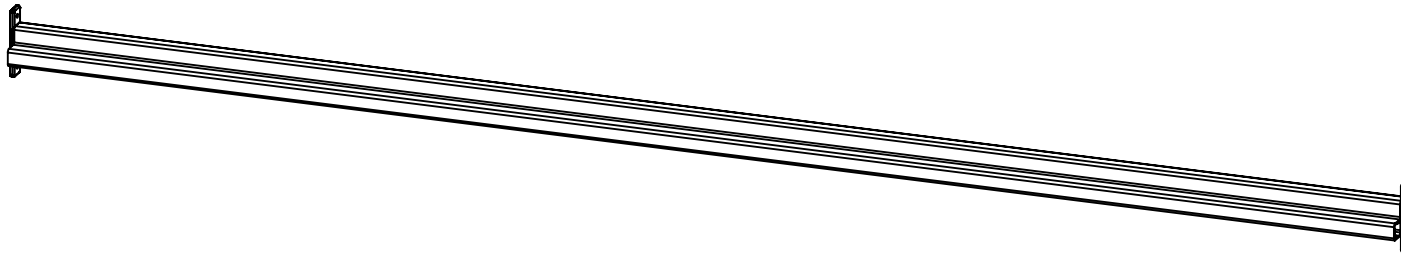
## Assem G



ITEM	QTY.	Part No.	DESCRIPTION	LENGTH (IN)	WIDTH (IN)
1	1				
2	2	TLA1	L-Tube 1.5 Inch (Tight Fit)	53	
3	2	TLA1	L-Tube 1.5 Inch (Tight Fit)	7	
4	4	TLA1	L-Tube 1.5 Inch (Tight Fit)	4.5	
5	4	JL3150	3-Way Corner Joint		
6	4	JWT150	Winged T		



### Assem I



ITEM	QTY.	Part No.	DESCRIPTION	LENGTH (IN)	WIDTH (IN)
1	1				
2	1	TLA1	L-Tube 1.5 Inch (Tight Fit)	61.75	
3	2	JWT150	Winged T		

### Assem J - Qty 2



ITEM	QTY.	Part No.	DESCRIPTION	LENGTH (IN)	WIDTH (IN)
1	1				
2	1	TLA1	L-Tube 1.5 Inch (Tight Fit)	16.25	
3	2	JWT150	Winged T		

Tubing C - Qty 2



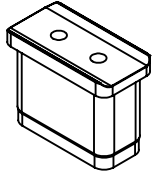
ITEM	QTY.	Part No.	DESCRIPTION	LENGTH (IN)	WIDTH (IN)
1	1				
2	1	TLA1	L-Tube 1.5 Inch (Tight Fit)	62	

Tubing E - Qty 6

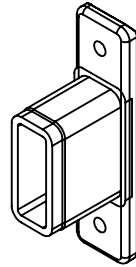


ITEM	QTY.	Part No.	DESCRIPTION	LENGTH (IN)	WIDTH (IN)
1	1				
2	1	TLA1	L-Tube 1.5 Inch (Tight Fit)	61.75	

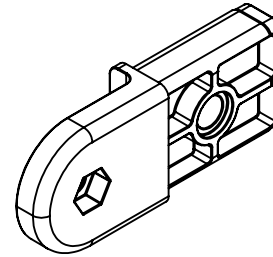
Flush T  
JFT150 - Qty 16



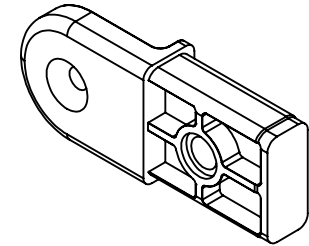
Winged T  
JWT150 - Qty 14



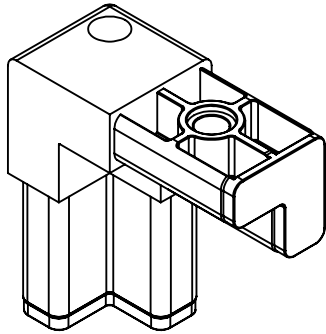
Pivot Arm (Hex)  
JPAH150 - Qty 4



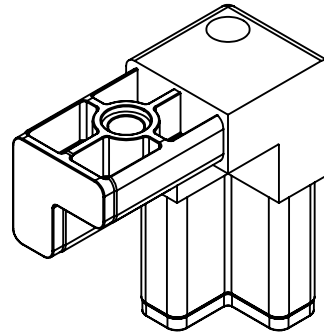
Pivot Arm (Chamfered)  
JPAC150 - Qty 4



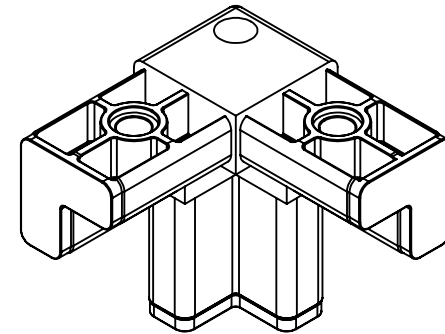
2 way (Caster Hole B)  
JL2150CH1B



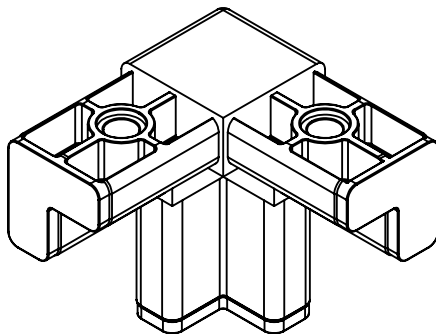
2-Way (Caster Hole A)  
JL2150CH1A



3-Way (Caster Hole)  
JL3150CH - Qty 2



3 Way  
JL3150 - Qty 4



2 inch Caster  
CAS200 - Qty 4

