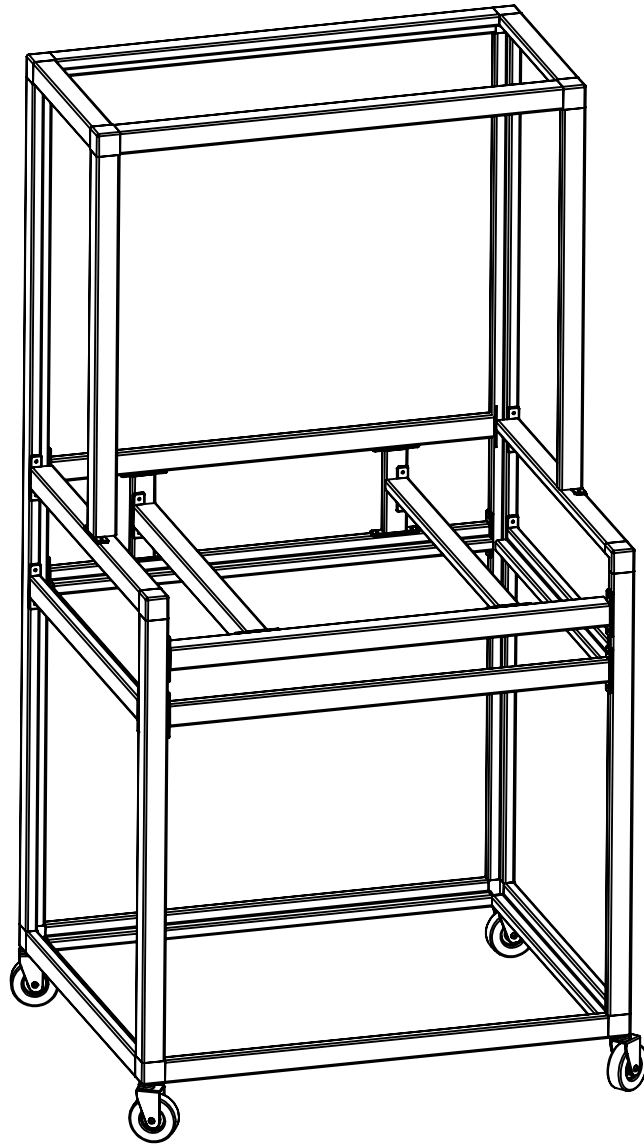
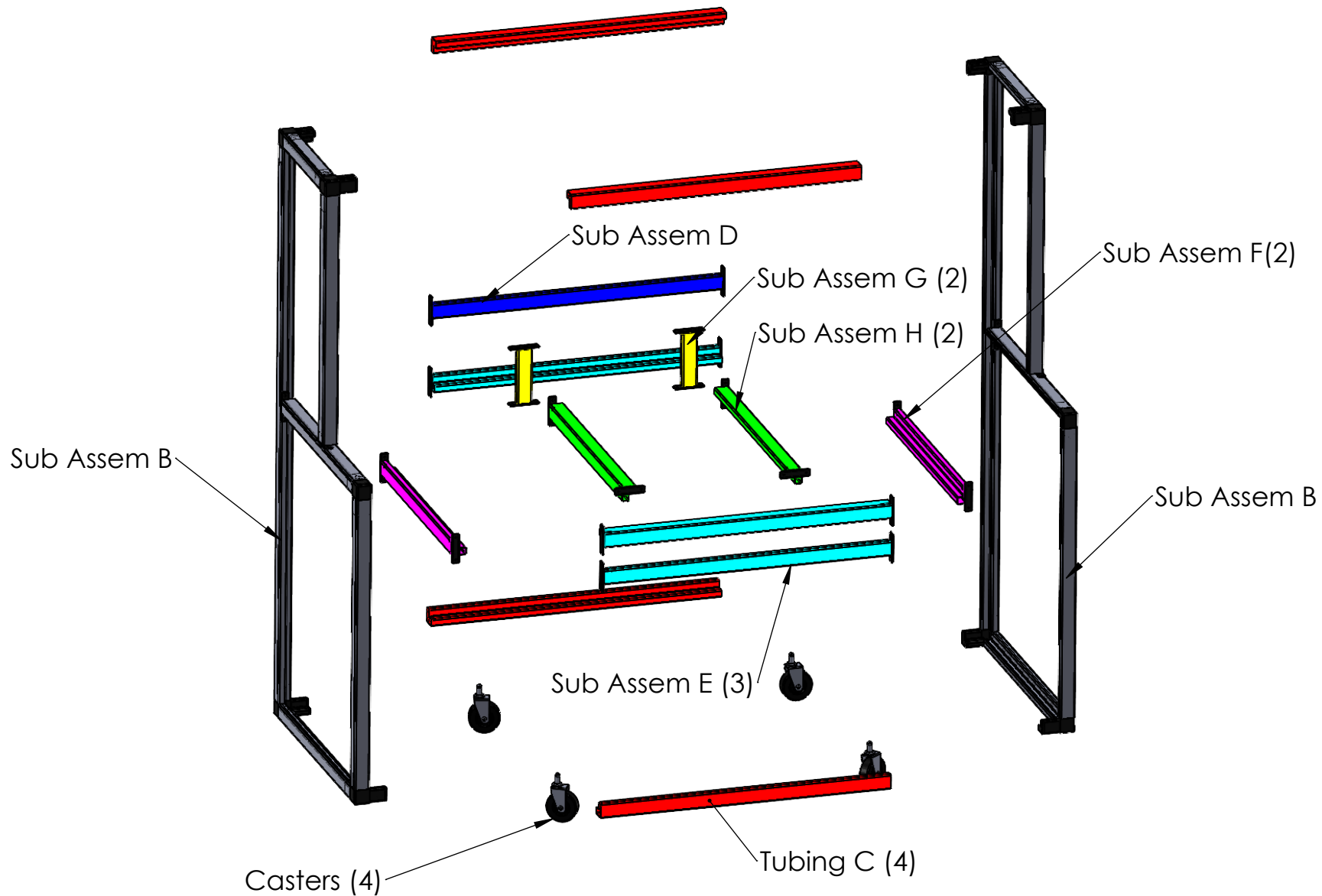


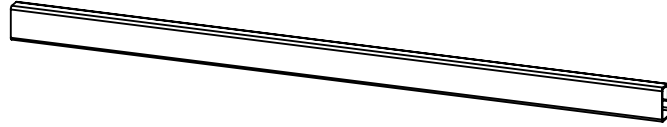
Saw Table Frame



Exploded View



Tubing C - Qty 4



ITEM	QTY.	Part No.	DESCRIPTION	LENGTH (IN)	WIDTH (IN)
1	1				
2	1	TL1500		29	

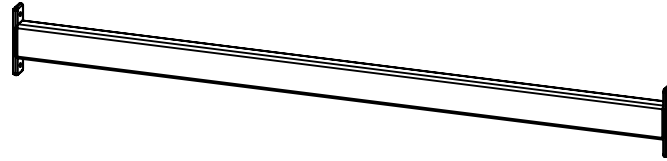
Sub Assem D



ITEM	QTY.	Part No.	DESCRIPTION	LENGTH (IN)	WIDTH (IN)
1	1				
2	1	TR1500		29	
3	2	JWT150	Winged T		

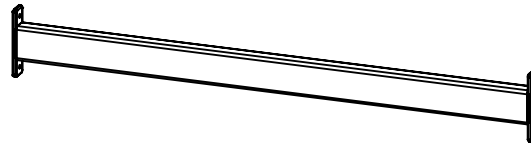


Assem E - Qty 3



ITEM	QTY.	Part No.	DESCRIPTION	LENGTH (IN)	WIDTH (IN)
1	1				
2	1	TL1500		28.75	
3	2	JWT150	Winged T		

Assem F - Qty 2



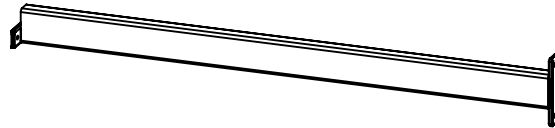
ITEM	QTY.	Part No.	DESCRIPTION	LENGTH (IN)	WIDTH (IN)
1	1				
2	1	TL1500		22.75	
3	2	JWT150	Winged T		

Assem G - Qty 2



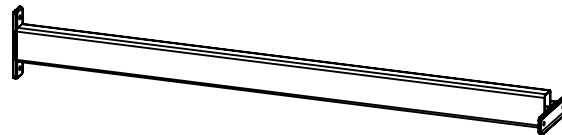
ITEM	QTY.	Part No.	DESCRIPTION	LENGTH (IN)	WIDTH (IN)
1	1	TR1500		5.5	
2	2	JWT150	Winged T		

Assem H1



ITEM	QTY.	Part No.	DESCRIPTION	LENGTH (IN)	WIDTH (IN)
1	1				
2	1	TL1500		23.5	
3	2	JWT150	Winged T		

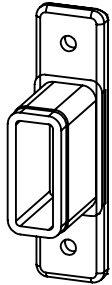
Assem H2



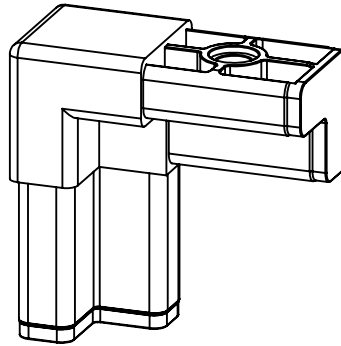
ITEM	QTY.	Part No.	DESCRIPTION	LENGTH (IN)	WIDTH (IN)
1	1				
2	1	TL1500		23.5	
3	2	JWT150	Winged T		



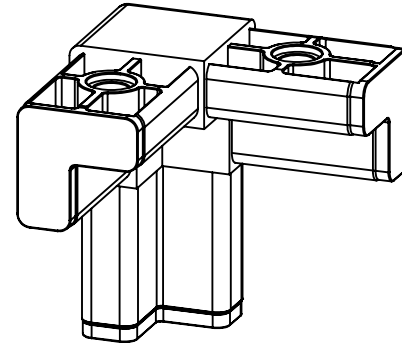
Winged T
JWT150



2 Way
JL2150



3 Way
JL3150



CAS300

